

2 P		2 POLI / POLES (IE1) 3000 rpm - V 230/400/50 Hz - dalla grandezza / from size 160 → 400/690/50 Hz																																								
TIPO TYPE	Potenza Power		rpm	In 400 V A	Rend% Eff.%	Cosφ p.f.	Ia In	Ca Cn	Cmax Cn	Cn Nm	J kgm ²	Peso Weight Kg	TIPO TYPE	DC				AC				DC - S				POS.DC																
	kw	hp												CF Nm	Cicli/h Cycles/h Coo	PB Watt	Peso Weight Kg	CF Nm	Cicli/h Cycles/h Coo	PB VA	Peso Weight Kg	CF Nm	Cicli/h Cycles/h Coo	PB Watt	Peso Weight Kg	CF Nm	Cicli/h Cycles/h Coo	PB Watt	Peso Weight Kg													
																														CF Nm	Cicli/h Cycles/h Coo	PB Watt	Peso Weight Kg	CF Nm	Cicli/h Cycles/h Coo	PB Watt	Peso Weight Kg	CF Nm	Cicli/h Cycles/h Coo	PB Watt	Peso Weight Kg	
T50A	0,06	0,08	2710	0,26	49,0	0,69	2,3	2,4	2,5	0,22	0,00008	2,2	-	-	-	-	-	-	-	-	-	-	-	-	-	-	-	-	-	-	-	-	-									
T50B	0,09	0,12	2750	0,39	49,0	0,71	2,8	2,4	2,5	0,32	0,00010	2,4	-	-	-	-	-	-	-	-	-	-	-	-	-	-	-	-	-	-	-	-	-									
T56A	0,09	0,12	2730	0,40	44,4	0,75	3,0	3,1	3,9	0,32	0,00012	2,6	AT56A*	1	9700	12	4,0	-	-	-	-	-	-	-	-	-	-	-	-	-	-	-	-									
T56B	0,14	0,18	2750	0,60	52,4	0,61	3,0	4,1	4,0	0,46	0,00015	3,2	AT56B*	1	8900	12	5,0	-	-	-	-	-	-	-	-	-	-	-	-	-	-	-	-	-								
T63A	0,18	0,25	2770	0,60	58,0	0,74	3,7	3,3	3,5	0,63	0,00025	3,7	AT63A	4	8100	20	5,0	5	8100	40	5,0	2,5	8100	18	5,0	7,5	8100	11,5	4,3	-	-	-	-	-								
T63B	0,25	0,35	2820	0,80	63,6	0,77	4,0	2,8	3,2	0,90	0,00030	4,3	AT63B	4	6750	20	6,0	5	6750	40	6,0	2,5	6750	18	6,0	7,5	6750	11,5	4,9	-	-	-	-	-								
T63C	0,37	0,50	2800	1,10	66,5	0,77	4,1	3,0	2,9	1,30	0,00035	5,6	AT63C	4	5400	20	7,0	5	5400	40	7,0	2,5	5400	18	7,0	7,5	5400	11,5	6,2	-	-	-	-	-	-							
T71A	0,37	0,50	2860	1,20	64,1	0,72	4,6	3,5	5,2	1,30	0,00038	5,8	AT71A	4	5400	20	8,0	5	5400	40	8,0	4,0	5400	18	7,0	7,5	5400	11,5	6,4	-	-	-	-	-	-							
T71B	0,55	0,75	2860	1,60	68,5	0,72	5,4	4,0	5,3	1,80	0,00046	6,2	AT71B	4	5400	20	8,0	5	5400	40	8,0	4,0	5400	18	8,0	7,5	5400	11,5	6,8	-	-	-	-	-	-	-						
T71C	0,75	1,00	2810	2,00	70,7	0,79	4,3	2,8	3,7	2,60	0,00057	7,4	AT71C	4	5500	20	9,0	5	5500	40	9,0	4,0	5500	18	9,0	7,5	5500	11,5	8,0	-	-	-	-	-	-	-						
IE1 T80A	0,75	1,00	2860	2,00	71,2	0,78	4,8	2,8	3,3	2,50	0,00080	8,5	AT80A	8	5400	25	11,0	10	5400	70	11,0	9,0	5400	25	11,0	15,0	5400	16,0	9,6	-	-	-	-	-	-	-						
IE1 T80B	1,10	1,50	2850	2,60	78,0	0,80	6,1	3,5	3,0	3,80	0,00097	9,8	AT80B	8	5400	25	12,0	10	5400	70	12,0	9,0	5400	25	12,0	15,0	5400	16,0	10,9	-	-	-	-	-	-	-	-					
T80C	1,50	2,00	2870	3,40	80,0	0,80	6,4	4,1	3,5	5,00	0,00120	10,5	AT80C	8	5100	25	13,0	10	5100	70	13,0	9,0	5100	25	13,0	15,0	5100	16,0	11,6	-	-	-	-	-	-	-	-					
T80D	1,80	2,50	2800	4,00	78,3	0,85	5,1	2,7	2,9	6,20	0,00130	11,5	AT80D	8	4900	25	14,0	10	4900	70	14,0	9,0	4900	25	14,0	15,0	4900	16,0	12,6	-	-	-	-	-	-	-	-					
IE1 T90S	1,50	2,00	2880	3,40	79,8	0,82	6,2	2,9	2,7	5,10	0,00150	12,0	AT90S	16	4000	30	17,0	20	4000	120	17,0	10,0	4000	25	14,0	30,0	4000	21,0	14,0	-	-	-	-	-	-	-	-					
IE1 T90L	2,20	3,00	2850	5,00	78,7	0,81	5,1	2,8	2,7	7,50	0,00230	13,5	AT90L	16	4000	30	18,0	20	4000	120	18,0	10,0	4000	25	15,0	30,0	4000	21,0	15,5	-	-	-	-	-	-	-	-					
T90LB	3,00	4,00	2880	7,10	77,8	0,79	5,9	3,2	2,8	10,00	0,00280	15,5	AT90LB	16	3800	30	20,0	20	3800	120	20,0	10,0	3800	25	18,0	30,0	3800	21,0	17,5	-	-	-	-	-	-	-	-	-				
IE1 T100A	3,00	4,00	2910	6,20	83,0	0,84	7,1	3,0	2,8	9,90	0,00530	18,5	AT100A	32	2500	40	25,0	40	2500	160	27,0	12,0	2500	35	22,0	60,0	2500	28,0	22,0	-	-	-	-	-	-	-	-	-				
T100B	4,00	5,50	2920	8,60	83,3	0,81	7,2	2,7	3,5	13,20	0,00850	21,0	AT100B	32	2400	40	28,0	40	2400	160	30,0	12,0	2400	35	25,0	60,0	2400	28,0	24,5	-	-	-	-	-	-	-	-	-	-			
IE1 T112A	4,00	5,50	2930	8,70	84,0	0,81	6,7	3,1	3,5	13,20	0,00900	27,0	AT112A	60	1500	50	36,0	60	1500	300	36,0	13,0	1500	35	31,0	60,0	1500	28,0	33,0	-	-	-	-	-	-	-	-	-	-			
T112B	5,50	7,50	2920	12,00	79,7	0,83	5,1	3,2	2,9	18,10	0,01200	32,0	AT112B	60	1400	50	41,0	60	1400	300	41,0	13,0	1400	35	36,0	60,0	1400	28,0	38,0	-	-	-	-	-	-	-	-	-	-	-		
T112BL	7,50	10,00	2930	15,80	82,9	0,83	3,7	2,6	2,6	24,50	0,01300	34,0	AT112BL	60	1300	50	43,0	60	1300	300	43,0	13,0	1300	35	38,0	60,0	1300	28,0	40,0	-	-	-	-	-	-	-	-	-	-	-	-	
IE1 T132S	5,50	7,50	2930	11,90	84,0	0,82	5,4	3,4	3,2	18,00	0,01300	45,0	AT132S	80	430	55	58,0	90	430	500	59,0	17,0	430	35	50,0	120,0	430	38,0	57,0	-	-	-	-	-	-	-	-	-	-	-		
IE1 T132SL	7,50	10,00	2920	14,60	85,5	0,88	4,7	2,4	2,5	24,50	0,02000	48,0	AT132SL	80	430	55	61,0	90	430	500	62,0	17,0	430	35	58,0	120,0	430	38,0	60,0	-	-	-	-	-	-	-	-	-	-	-		
T132M	11,00	15,00	2940	21,50	87,1	0,85	4,9	2,6	2,4	36,00	0,02800	54,0	AT132M	80	400	55	67,0	90	400	500	68,0	17,0	400	35	59,0	120,0	400	38,0	66,0	-	-	-	-	-	-	-	-	-	-	-	-	
T132ML	15,00	20,00	2940	28,60	88,6	0,85	3,9	2,2	2,3	48,80	0,03000	58,0	AT132ML	80	400	55	71,0	90	400	500	72,0	17,0	400	35	63,0	120,0	400	38,0	70,0	-	-	-	-	-	-	-	-	-	-	-	-	
IE1 T160MA	11,00	15,00	2970	22,40	87,0	0,83	5,7	3,8	3,9	35,40	0,03200	75,0	AT160MA	150	300	85	95,0	200	300	600	93,0	30,0	300	65	82,0	240,0	300	45,0	96,0	-	-	-	-	-	-	-	-	-	-	-	-	
IE1 T160MB	15,00	20,00	2960	28,60	88,5	0,87	4,5	2,8	2,9	48,50	0,03600	88,0	AT160MB	150	300	85	108,0	200	300	600	106,0	30,0	300	65	95,0	240,0	300	45,0	109,0	-	-	-	-	-	-	-	-	-	-	-	-	-
IE1 T160L	18,50	25,00	2960	35,40	89,3	0,85	4,5	2,6	2,7	60,20	0,04000	99,0	AT160L	150	300	85	111,0	200	300	600	117,0	30,0	300	65	106,0	240,0	300	45,0	120,0	-	-	-	-	-	-	-	-	-	-	-		
IE1 T180M	22,00	30,00	2940	39,00	91,0	0,90	7,1	2,3	3,0	71,49	0,07500	110,0	AT180M	260	200	100	119,0	400	200	600	130,0	-	-	-	-	480,0	200	70,0	131,0	-	-	-	-	-	-	-	-	-	-	-		
IE1 T200LA	30,00	40,00	2945	53,00	92,0	0,89	7,2	2,3	2,7	97,33	0,14000	130,0	AT200LA	400	100	100	149,0	400	100	600	150,0	-	-	-	-	480,0	100	70,0	151,0	-	-	-	-	-	-	-	-	-	-	-		
IE1 T200LB	37,00	50,00	2940	65,00	92,0	0,89	7,5	2,3	2,7	120,24	0,16000	150,0	AT200LB	400	100	100	169,0	400	100	600	170,0	-	-	-	-	480,0	100	70,0	171,0	-	-	-	-	-	-	-	-	-	-	-		

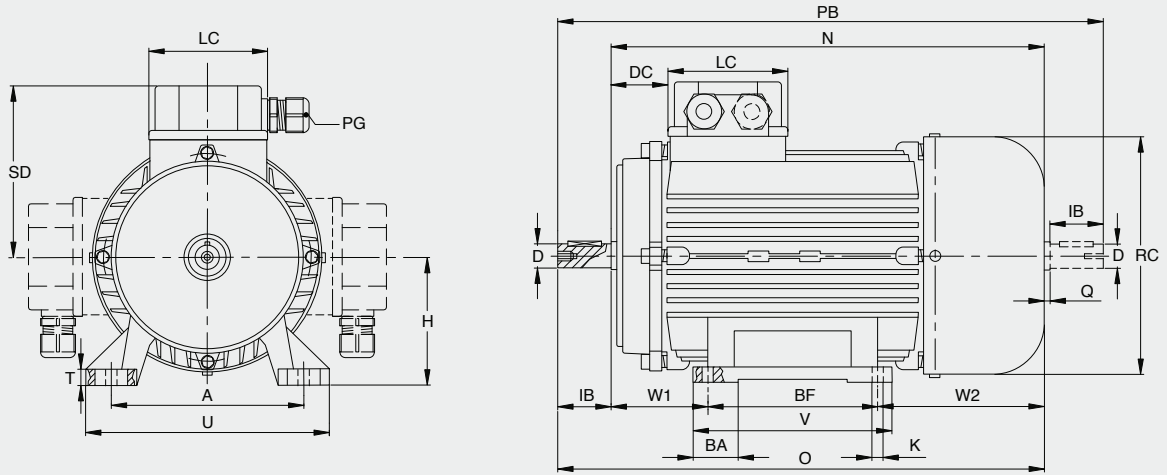
* no freni UL/CSA / Not available with UL/CSA brakes

Motori asincroni trifase serie T / asincroni trifase autofrenanti serie AT
T Series three-phase induction motors / AT series three-phase induction brake motors

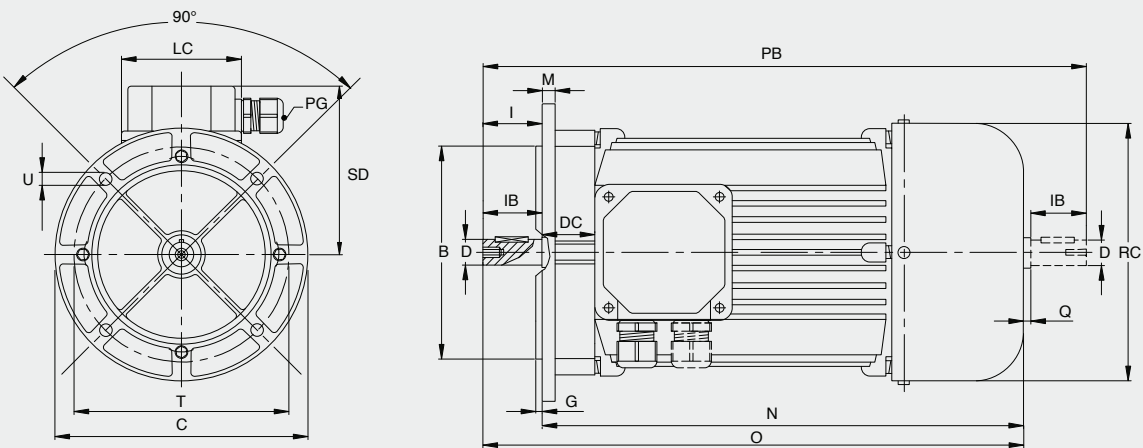
Dimensioni motori trifase e doppia polarità serie T - DP - HE2 - HE3** - IN
 Dimensions of three-phase and two-speed motors series T - DP - HE2 - HE3** - IN

In generale dalla grandezza 71 ÷ 200 piedi riportati / In generale dalla grandezza 71 ÷ 200 piedi riportati

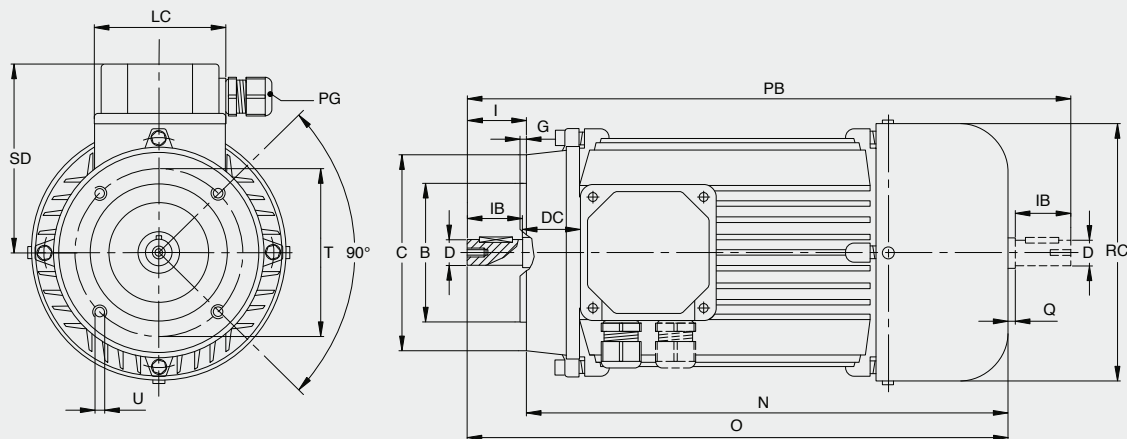
B3



B5



B14



* vedere pag. 45 ** su richiesta * see page 45 ** upon request

Tab. 37

Grand. / Size	50	56	63	71	80	90	100	112	132	160	180	200
F	3	3	4	5	6	8	8	8	10	12	14	16
D	9	9	11	14	19	24	28	28	38	42	48	55
GA	10,2	10,2	12,5	16,0	21,5	27,0	31,0	31,0	41,0	45,0	52,5	59,0
d		M4	M4	M5	M6	M8	M10	M10	M12	M16	M16	M20
LL	15	15	15	20	30	40	50	50	60	100	90	100

Grand. Size	Dimensioni / Dimensions																			B3	
	D	IB	A	BF	K	H	W1	W2	N	O	PG	RC	SD	TP	U	V	PB	Q	LC	DC	BA
56	9	20	90	71	6	56	36	61,0	168,0	188,0	M16	110	95	10	108	90	211,0	3	75	24	25
63	11	23	100	80	7	63	40	70,5	190,5	213,5	M16	123	100	10	120	105	239,5	3	75	28	27
71	14	30	112	90	8	71	48	80,0	218,0	248,0	M16	137	109	11	136	108	281,0	3	75	36	24
80	19	40	125	100	9	80	54	88,0	242,0	282,0	M20	156	123	13/14	154	125	326,0	4	91	35	30
90S	24	50	140	100	10	90	59	96,0	255,0	305,0	M20	176	128	13/15	170	130	358,0	3	91	40	30
90L	24	50	140	125	10	90	59	96,0	280,0	330,0	M20	176	128	13/15	170	155	383,0	3	91	40	32
100	28	60	160	140	13	100	63	109,0	312,0	372,0	M20	194	140	15/16	192	175	437,0	5	91	45	32
112	28	60	190	140	13	112	72	118,0	330,0	390,0	M20	218	148	15	224	176	455,0	5	91	47	34
132S	38	80	216	140	14	132	89	151,5	380,5	460,5	M32	258	177	16/18	260	180	546,5	6	106	57	37
132M	38	80	216	178	14	132	89	151,5	418,5	498,5	M32	258	177	16/18	260	218	584,5	6	106	57	37
160M	42	110	254	210	16	160	108	173,0	491,0	601,0	M32	309	220	18	318	260	718,0	7	165	118	52
160L	42	110	254	254	16	160	108	173,0	535,0	645,0	M32	309	220	18	318	304	-	-	165	118	52
180	48	110	280	280	16	180	120	210,0	610,0	720,0	M32	346	260	24	346	330	-	-	187	51	42
200	55	110	318	305	18	200	118	208,0	631,0	741,0	M32	348	260	26	398	355	-	-	187	62	54

Grand. Size	Dimensioni / Dimensions																			B5	
	D	I	B	C	G	M	N	O	PG	RC	SD	T	U	PB	Q	LC	DC	IB	LC	DC	BA
56	9	20	80	120	2,5	8,5	168,0	188,0	M16	110	95	100	7,0	211,0	3	75	24	20	75	24	25
63	11	23	95	140	2,5	10,0	190,5	213,5	M16	123	100	115	9,5	239,5	3	75	28	23	75	28	27
71	14	30	110	160	3,0	10,0	218,0	248,0	M16	137	109	130	9,5	281,0	3	75	36	30	75	36	24
80	19	40	130	200	3,0	11,0	242,0	282,0	M20	156	123	165	12,0	326,0	4	91	35	40	91	35	30
90S	24	50	130	200	3,5	10,0	255,0	305,0	M20	176	128	165	12,0	358,0	3	91	40	50	91	40	30
90L	24	50	130	200	3,5	10,0	280,0	330,0	M20	176	128	165	12,0	383,0	3	91	40	50	91	40	32
100	28	60	180	250	4,0	14,0	312,0	372,0	M20	194	140	215	14,5	437,0	5	91	45	60	91	45	32
112	28	60	180	250	4,0	14,0	330,0	390,0	M20	218	148	215	14,5	455,0	5	91	47	60	91	47	34
132S	38	80	230	300	4,0	20,0	380,5	460,5	M32	258	177	265	14,5	546,5	6	106	57	80	106	57	37
132M	38	80	230	300	4,0	20,0	418,5	498,5	M32	258	177	265	14,5	584,5	6	106	57	80	106	57	37
160M	42	110	250	350	5,0	20,0	491,0	601,0	M32	309	220	300	18,5	718,0	7	165	118	110	165	118	52
160L	42	110	250	350	5,0	20,0	535,0	645,0	M32	309	220	300	18,5	-	-	165	118	110	165	118	52
180	48	110	250	350	5,0	20,0	610,0	720,0	M32	346	260	300	19,0	-	-	187	51	110	187	51	42
200	55	110	300	400	5,0	20,0	631,0	741,0	M32	348	260	350	19,0	-	-	187	62	110	187	62	54

Grand. Size	Dimensioni / Dimensions																			B14	
	D	I	B	C	G	N	O	PG	RC	SD	T	U	PB	Q	LC	DC	IB				
50A	9	20	50	80	2,5	125,0	145,0	M16	98	77	65	M5	-	-	56	20	20				
50B	9	20	50	80	2,5	141,0	161,0	M16	98	77	65	M5	184,0	3	64	23	20				
56	9	20	50	80	2,5	168,0	188,0	M16	110	95	65	M5	211,0	3	75	24	20				
63	11	23	60	90	2,5	190,5	213,5	M16	123	100	75	M5	239,5	3	75	28	23				
71	14	30	70	105	3,0	218,0	248,0	M16	137	109	85	M6	281,0	3	75	36	30				
80	19	40	80	120	3,0	242,0	282,0	M20	156	123	100	M6	326,0	4	91	35	40				
90S	24	50	95	140	3,0	255,0	305,0	M20	176	128	115	M8	358,0	3	91	40	50				
90L	24	50	95	140	3,0	280,0	330,0	M20	176	128	115	M8	383,0	3	91	40	50				
100	28	60	110	160	4,0	312,0	372,0	M20	194	140	130	M8	437,0	5	91	45	60				
112	28	60	110	160	4,0	330,0	390,0	M20	218	148	130	M8	455,0	5	91	47	60				
132S	38	80	130	200	4,0	380,5	460,5	M32	258	177	165	M10	546,5	6	106	57	80				
132M	38	80	130	200	4,0	418,5	498,5	M32	258	177	165	M10	584,5	6	106	57	80				
160M	42	110	180	250	4,0	491,0	601,0	M32	309	220	215	M12	718,0	7	165	118	110				
160L	42	110	180	250	4,0	535,0	645,0	M32	309	220	215	M12	-	-	165	118	110				

B14 - grandezze 180 / 200 disponibili su richiesta B14 - sizes 180 / 200 available on request